



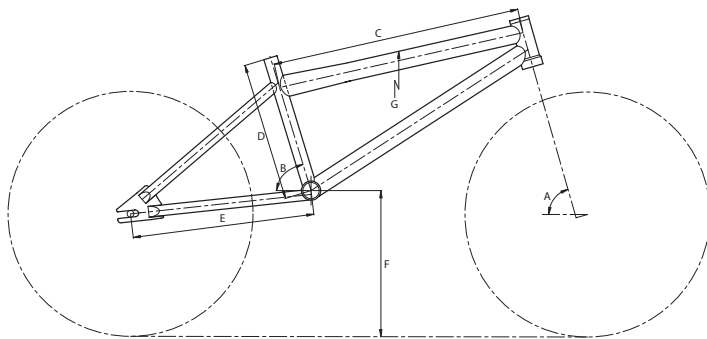
FEATURES

- CrMo frame
- Integrated sealed bearing headset
- 9 tooth driver
- NEW OR CHANGED FOR 2021**
- 165mm crank arms

BIKE SPECS

Frame	CrMo D/T, Integrated Headtube, Mid BB, 6mm Dropouts, 20.5" T/T, Integrated Seat Clamp
Fork	Free Agent Heavy Duty Tapered Leg
Headset	Sealed Bearing Integrated, Threadless, 1-1/8", Campy-Style
Handlebar	Free Agent Jump, 206mm Rise x 710mm Wide
Stem	Free Agent Aluminum Top Load
Grips	Free Agent Kraton
Crankset	Free Agent 3-pc Hollow CrMo, 165mm, 25T Free Agent Chainwheel
BB	Mid Cartridge Bearings, 8-Spline
Chain	KMC S1
Pedals	Free Agent Low-Profile Nylon Platform w/Smooth Polymer Bearing
Rims	FT: Aluminum, RR: Aluminum Double Wall, 20", 36x36H
Hubset	Free Agent Aluminum FT 3/8", Aluminum RR w/9T Driver, 14mm Axle
Spokes	14G Black, 36x36
Tires	Kenda Admiral, 20x2.4"
Freewheel / Cassette	9T Driver
Brake Levers	Tektro Aluminum 2F
Brakes (R)	Tektro FX-350R, U-Brake w/Green Brake Pads
Saddle	Free Agent Padded Jump w/Integrated Post
Seatpost	Free Agent Aluminum 25.4mm Integrated
Other Features	Long Linear Cable, Removable H/T Cable Guide

PART NO.	MODEL	SIZE	COLOR
92-122-9000	VERGO	ONE	BLACK
92-122-9001	VERGO	ONE	BLUE
92-122-9002	VERGO	ONE	TAN



GEOMETRY

A (Head Tube)	B (Seat Tube)	C (Top Tube mm/in)	D (Seat Tube mm/in)	E (Chainstay mm/in)	F (BB Height mm/in)	G (Stand Over mm/in)
75°	72°	521 / 20.5	235 / 9.3	347 / 13.7	300 / 11.8	541 / 21.3