



FEATURES

- Integrated headtube
- Mid cartridge bottom bracket
- 100mm travel fork
- Bengal cable disc brakes

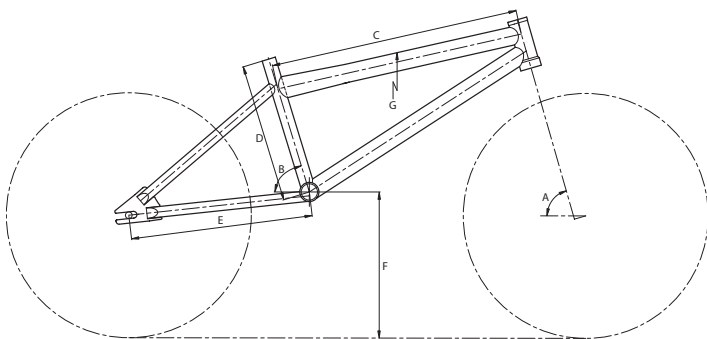
NEW OR CHANGED FOR 2021

- FSA integrated headset

BIKE SPECS

Frame	Hi-Ten TIG Welded, Integrated Headtube, Mid BB
Fork	VAXA 595S AMS 100mm, Dual Coil
Headset	FSA Impact S/B Integrated, Threadless 1-1/8"
Handlebar	Aluminum Riser, 760mm x 30mm x 31.8
Stem	Aluminum Forged Jumper, 31.8 x 50mm
Grips	New Free Agent Kraton, 160mm
Crankset	Free Agent 3-pc Hollow CrMo, 175mm, 28T Chainwheel
BB	Mid Cartridge Bearings, 8-Spline
Chain	KMC Z1 Narrow
Pedals	Wellgo Nylon Platform w/Smooth Polymer Bearing
Rims	Weinmann U32 Disc, Double Wall, Sleeved, 36x36H
Hubset	Aluminum Disc Nuted
Spokes	14G Black 36x36
Tires	Kenda Small Block 8, 26x2.35 FT/2.1 RR, 30TPI
Freewheel / Cassette	14T Freewheel
Brake Levers	Tektro ML-520 Aluminum, 2F Linear Pull
Brakes (R)	Bengal MB-606 Cable Disc, 160mm Wave 12 Rotor
Saddle	Free Agent Padded Jump w/Integrated Post
Seatpost	Free Agent Aluminum 25.4mm Integrated

PART NO.	MODEL	SIZE	COLOR
92-128-0000	SALIRE	ONE	RED



GEOMETRY

A (Head Tube)	B (Seat Tube)	C (Top Tube mm/in)	D (Seat Tube mm/in)	E (Chainstay mm/in)	F (BB Height mm/in)	G (Stand Over mm/in)
70°	72°	575 / 22.6	310 / 12.2	383 / 15.1	311 / 12.2	705 / 27.8