



FEATURES

A slightly pushed forward bottom bracket allows for a safer learning experience for little kids.

Alloy frame

Free Agent pads & training wheels

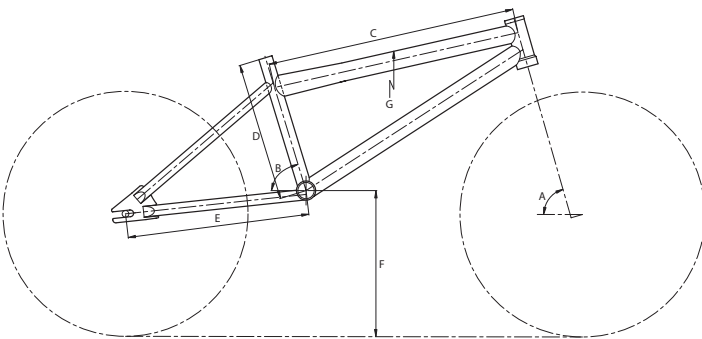
Shipped 2 bikes in a box

PART NO. MODEL SIZE COLOR

92-104-9000	SPEEDY	ONE	BLUE
92-104-9001	SPEEDY	ONE	RED

BIKE SPECS

Frame	16" 6061 Aluminum, Double Diamond design, Lower Stand Over Height
Fork	Free Agent Tapered Leg
Headset	Steel, Black
Handlebar	BMX, 560mm
Stem	BMX Aluminum
Grips	Kraton 100mm
Crankset	1-pc forged 4-1/2", 36T Chainwheel
BB	1-pc Ball Bearing
Chain	KMC S1
Pedals	Nylon Jr. Platform
Rims	Aluminum, 28x28H
Hubset	Steel/Coaster
Spokes	14G Black 28x28
Tires	Knobby, 16x2.125"
Freewheel / Cassette	18T Cog
Brake Levers	N/A
Brakes (R)	Coaster
Saddle	Free Agent Jr. Padded
Seatpost	Free Agent, 25.4x230mm
Other Features	Bell, Training Wheels, Handlebar & Frame Pads



GEOMETRY

A (Head Tube) 70°	B (Seat Tube) 72°	C (Top Tube mm/in) 360 / 14.2	D (Seat Tube mm/in) 200 / 7.9	E (Chainstay mm/in) 372 / 14.6	F (BB Height mm/in) 234 / 9.2	G (Stand Over mm/in) 454 / 17.9
----------------------	----------------------	----------------------------------	----------------------------------	-----------------------------------	----------------------------------	------------------------------------