



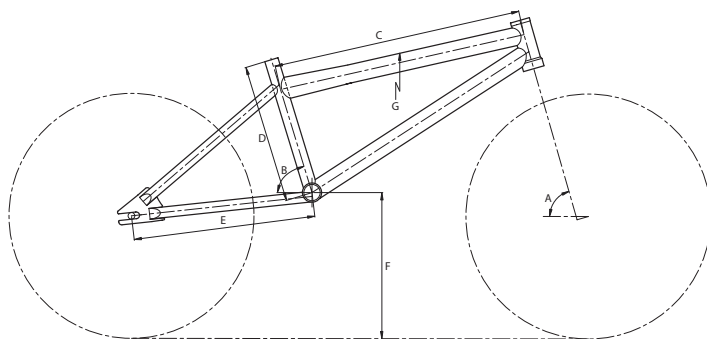
**FEATURES**

- Brake rotor Detangler
- Mid cartridge bottom bracket
- Hollow CrMo cranks
- NEW OR CHANGED FOR 2021**
- 160mm crank arms
- Tektro XL-320 Aluminum 2F brake lever

**BIKE SPECS**

Frame	Hi-Ten TIG Welded, Mid BB, 6mm Dropouts, 20" T/T, Integrated Seat Clamp
Fork	Free Agent Heavy Duty Tapered Leg
Headset	Threadless 1-1/8"
Handlebar	Free Agent Jump, 206mm Rise x 710mm Wide
Stem	Free Agent Aluminum Top Load
Grips	Free Agent Kraton
Crankset	Free Agent 3-pc Hollow CrMo, 160mm, 25T Free Agent Chainwheel
BB	Mid Cartridge Bearings, 8-Spline
Chain	KMC S1
Pedals	Free Agent Low-Profile Nylon Platform w/Smooth Polymer Bearing
Rims	Aluminum 20", 36x36H
Hubset	Free Agent FT 3/8", Aluminum RR w/9T Driver, 14mm Axle
Spokes	14G Black, 36x36
Tires	Kenda Admiral, 20x2.4"
Freewheel / Cassette	9T Driver
Brake Levers	Tektro XL-320 Aluminum 2F
Brakes (R)	Tektro FX-350R, U-Brake w/Green Brake Pads
Saddle	Free Agent Padded Jump w/Integrated Post
Seatpost	Free Agent Aluminum 25.4mm Integrated
Other Features	External Rotor, 1 Front & 1 Rear=Left or Right Axle Peg

PART NO.	MODEL	SIZE	COLOR
92-121-9000	NOVUS RT	ONE	AVOCADO



**GEOMETRY**

A (Head Tube)	B (Seat Tube)	C (Top Tube mm/in)	D (Seat Tube mm/in)	E (Chainstay mm/in)	F (BB Height mm/in)	G (Stand Over mm/in)
75°	72°	508 / 20	235 / 9.3	357 / 14.1	300 / 11.8	561 / 22.1