



**FEATURES**

Brake rotor Detangler

30 x 13T gearing

Hollow CrMo cranks

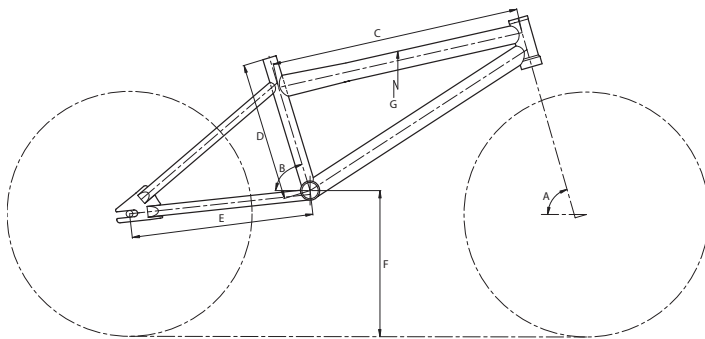
**NEW OR CHANGED FOR 2021**

Tektro XL-320 Aluminum 2F brake lever

Tektro FX350R U-Brake w/Green Pads

**PART NO. MODEL SIZE COLOR**

92-108-9000 MAVERICK RT ONE BRIGHT SILVER



**GEOMETRY**

A (Head Tube)  
74°

B (Seat Tube)  
72°

C (Top Tube mm/in)  
505 / 19.9

D (Seat Tube mm/in)  
255 / 10

E (Chainstay mm/in)  
368 / 14.5

F (BB Height mm/in)  
296 / 11.7

G (Stand Over mm/in)  
557 / 21.9

**BIKE SPECS**

Frame	Hi-Ten TIG Welded, Double Diamond Design
Fork	Free Agent Tapered Leg
Headset	Threadless 1-1/8"
Handlebar	Free Agent BMX, 660mm
Stem	Free Agent BMX Threadless Top Load, Aluminum 4-bolt
Grips	Free Agent
Crankset	Free Agent 3-pc Hollow CrMo, 175mm, 30T Chainwheel
BB	Mid Cartridge Bearings, 8-Spline
Chain	KMC S1
Pedals	Free Agent Low-Profile Nylon Platform w/Smooth Polymer Bearing
Rims	Aluminum 32x32H
Hubset	Free Agent
Spokes	14G Black 32x32
Tires	Kenda K-Rad 20x1.95/ 1.75"
Freewheel / Cassette	13T Freewheel
Brake Levers	Tektro XL-320 Aluminum 2F
Brakes (R)	Tektro FX350R, U-Brake w/Green Pads
Saddle	Free Agent BMX Padded, Low-Profile
Seatpost	Free Agent Aluminum
Other Features	External Rotor