



## FEATURES

**The Official Bike of the Free Agent BMX Race Team!**

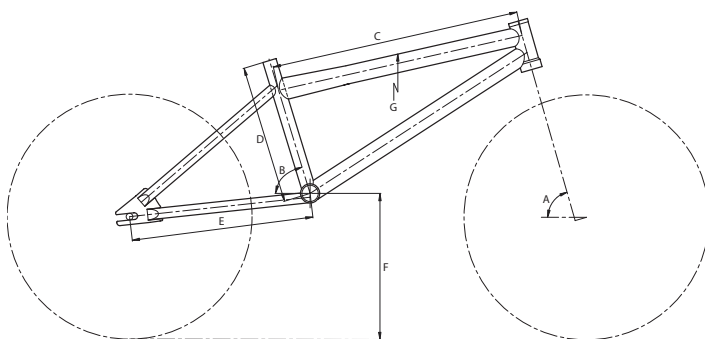
Aluminum custom formed frame

Q2 carbon fork

Hollow aluminum cranks

PART NO.	MODEL	TT	COLOR
----------	-------	----	-------

92-115-0000	TEAM LIMO	20.5	RED
92-115-0001	TEAM LIMO	21	RED
92-115-0002	TEAM LIMO	21.5	RED
92-115-0003	TEAM LIMO	22	RED



## GEOMETRY

A (Head Tube)	B (Seat Tube)	C (Top Tube mm/in)	D (Seat Tube mm/in)	E (Chainstay mm/in)	F (BB Height mm/in)	G (Stand Over mm/in)
74°	72°	520 / 20.5	243 / 9.6	389 / 15.3	285 / 11.2	555 / 21.9
74°	72°	533 / 21	243 / 9.6	389 / 15.3	285 / 11.2	554 / 21.8
74°	72°	546 / 21.5	243 / 9.6	389 / 15.3	285 / 11.2	552 / 21.7
74°	72°	559 / 22	243 / 9.6	389 / 15.3	285 / 11.2	551 / 21.7

## BIKE SPECS

Frame	Free Agent Team Race, Custom Formed 6061 Aluminum Double Butted T/T & D/T, Oval Chain Stays, Integrated 1-1/8~1.5 Taper H/T, CNC 12mm x 110mm Drop Outs, Euro BB
Fork	Q2 Team Carbon w/Threaded Free Agent Top Cap, 1-1/8~1.5 Taper, 20mm Convertible to 15mm or 3/8"
Headset	Sealed Bearing Integrated, Threadless, 1-1/8~1.5
Handlebar	Free Agent CrMo Race, 740 x 230mm
Stem	Free Agent Pro Race, Threadless, Aluminum 4-bolt, Full CNC
Grips	Free Agent Lock-on
Crankset	Free Agent Team Race, Aluminum Hollow Forged 2-pc, 180mm, 30mm Aluminum Spindle, 44T Chainring
BB	Euro 30mm Outboard Cartridge Bearing
Chain	KMC Z1 Narrow
Pedals	Free Agent Aluminum Low-Profile Platform w/ Smooth Polymer Bearing
Rims	Q2 Elite Pro, Super Light
Hubset	Q2 Elite Pro Aluminum Sealed Bearing w/Hollow Aluminum Axles & Aluminum Hardware, Cassette RR, 20mm FT x 12mm RR
Spokes	Q2 Elite Pro, 14/15g Double Butted w/Aluminum Nipples, 36x36
Tires	Kenda Konversion, 20x1.95/1.65", 60 TPI, 100 psi
Freewheel / Cassette	16T Cassette
Brake Levers	Free Agent Team, Forged, Knee Saver Design
Brakes (R)	Tektro Forged Linear Pull Aluminum
Saddle	Velo 1200 Miles Racing
Seatpost	Free Agent Aluminum 2-bolt, Micro-adjust
Other Features	Chain Tensioner