



FEATURES

The same championship winning design in a bigger, 24" wheel!

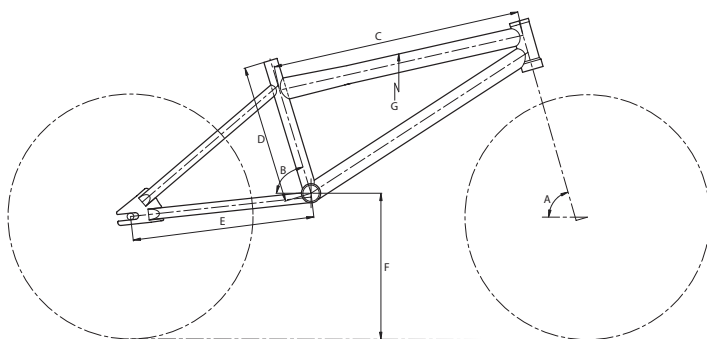
Aluminum custom formed frame

Q2 carbon fork

Hollow aluminum cranks

PART NO. MODEL SIZE COLOR

PART NO.	MODEL	SIZE	COLOR
92-116-0000	TEAM LIMO 24	24"	RED



GEOMETRY

A (Head Tube)	B (Seat Tube)	C (Top Tube mm/in)	D (Seat Tube mm/in)	E (Chainstay mm/in)	F (BB Height mm/in)	G (Stand Over mm/in)
73°	69°	546 / 21.5	267 / 10.5	394 / 15.5	308 / 12.1	617 / 24.3

BIKE SPECS

Frame	Free Agent Team Race, Custom Formed 6061 Aluminum Double Butted T/T & D/T, Oval Chain Stays, Integrated 1-1/8~1.5 Taper H/T, CNC 12mm x 110mm Drop Outs, Euro BB
Fork	Q2 Team Carbon w/Threaded Free Agent Top Cap, 1-1/8~1.5 Taper, 20mm Convertible to 15mm or 3/8"
Headset	Sealed Bearing Integrated, Threadless, 1-1/8~1.5
Handlebar	Free Agent CrMo Cruiser
Stem	Free Agent Pro Race, Threadless, Aluminum 4-bolt, Full CNC
Grips	Free Agent Lock-on
Crankset	Free Agent Team Race, Aluminum Hollow Forged 2-pc, 180mm, 30mm Aluminum Spindle, 41T Chaining
BB	Euro 30mm Outboard Cartridge Bearing
Chain	KMC Z1 Narrow
Pedals	Free Agent Aluminum Low-Profile Platform w/ Smooth Polymer Bearing
Rims	Q2 Elite Pro, Super Light
Hubset	Q2 Elite Pro Aluminum Sealed Bearing w/Hollow Aluminum Axles & Aluminum Hardware, Cassette RR, 20mm FT x 12mm RR
Spokes	Q2 Elite Pro, 14/15g Double Butted w/Aluminum Nipples, 36x36
Tires	Kenda Konversion, 24x1.95/1.75", 60 TPI, 100 psi
Freewheel / Cassette	18T Cassette
Brake Levers	Free Agent Team, Forged, Knee Saver Design
Brakes (R)	Tektro Forged Linear Pull Aluminum
Saddle	Velo 1200 Miles Racing
Seatpost	Free Agent Aluminum 2-bolt, Micro-adjust
Other Features	Chain Tensioner