

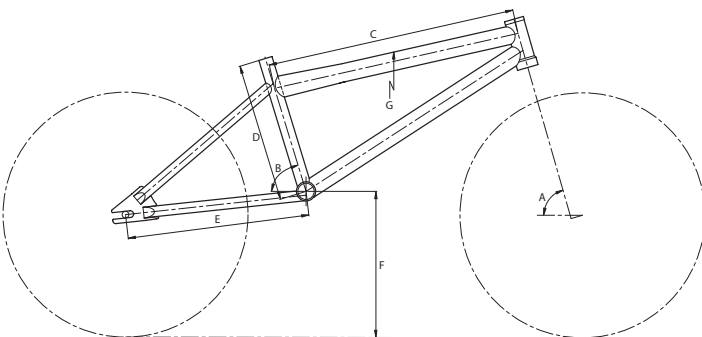
**FEATURES**

- Alloy rims
- 36 tooth chainring & 16 tooth cog
- 4 color options
- NEW OR CHANGED FOR 2021**
- Free Agent 20x1.95" tires

PART NO.	MODEL	SIZE	COLOR
92-105-9000	CHAMP	ONE	BLACK
92-105-9001	CHAMP	ONE	PINK
92-105-9002	CHAMP	ONE	RED
92-105-9003	CHAMP	ONE	SILVER

**BIKE SPECS**

Frame	Jr. Size Hi-Ten TIG Welded, Double Diamond Design
Fork	Free Agent Tapered Leg
Headset	Threadless 1-1/8"
Handlebar	Free Agent Junior, 590mm
Stem	Free Agent BMX Threadless Top Load, Aluminum 4-bolt
Grips	Free Agent Expert
Crankset	1-pc Forged 5-1/2", 36T Chainwheel
BB	1-pc Ball Bearing
Chain	KMC S1
Pedals	Free Agent Low-Profile Nylon Platform w/Smooth Polymer Bearing
Rims	Aluminum 28x28H
Hubset	Steel/Coaster
Spokes	14G Black 28x28
Tires	Free Agent 20x1.95"
Freewheel / Cassette	16T Cog
Brake Levers	Free Agent Aluminum
Brakes (R)	Aluminum Linear Pull, Coaster Rear
Saddle	Free Agent Padded
Seatpost	Free Agent, 25.4x200mm
Other Features	Handlebar & Frame Pad



**GEOMETRY**

A (Head Tube)	B (Seat Tube)	C (Top Tube mm/in)	D (Seat Tube mm/in)	E (Chainstay mm/in)	F (BB Height mm/in)	G (Stand Over mm/in)
72°	72°	432 / 17	250 / 9.8	366 / 14.4	246 / 9.7	528 / 20.8