



**FEATURES**

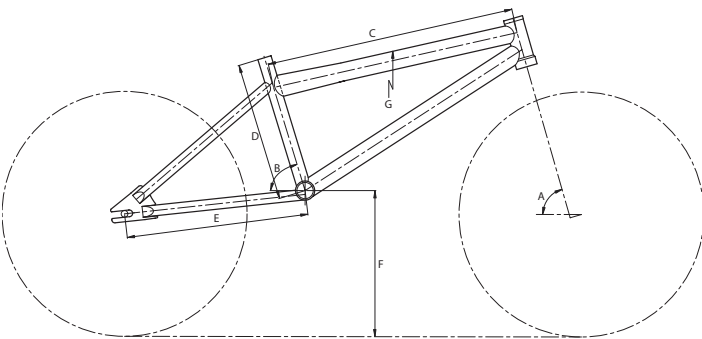
- Aluminum frame
- Aluminum cranks
- 2 color options

**NEW OR CHANGED FOR 2021**  
Free Agent 20x1.95" tires

PART NO.	MODEL	SIZE	COLOR
92-106-9000	CHAMP AL	ONE	BLUE
92-106-9001	CHAMP AL	ONE	TEAL

**BIKE SPECS**

Frame	6061 Aluminum, Jr. size, Double Diamond Design
Fork	Free Agent Tapered Leg
Headset	Threadless 1-1/8"
Handlebar	Free Agent Junior, 590mm
Stem	Free Agent BMX Threadless Top Load, Aluminum 4-bolt
Grips	Free Agent Expert
Crankset	3-pc Aluminum, 140mm, 36T Chainwheel
BB	Euro Square Taper Axle
Chain	KMC S1
Pedals	Free Agent Low-Profile Nylon Platform w/Smooth Polymer Bearing
Rims	Aluminum 28x28H
Hubset	Free Agent
Spokes	14G Black 28x28
Tires	Free Agent 20x1.95"
Freewheel / Cassette	16T Freewheel
Brake Levers	Free Agent Aluminum
Brakes (R)	Aluminum Linear Pull
Saddle	Free Agent Padded
Seatpost	Free Agent Aluminum
Other Features	Handlebar & Frame Pad



**GEOMETRY**

A (Head Tube)	B (Seat Tube)	C (Top Tube mm/in)	D (Seat Tube mm/in)	E (Chainstay mm/in)	F (BB Height mm/in)	G (Stand Over mm/in)
72"	72"	432 / 17	250 / 9.8	366 / 14.4	246 / 9.7	528 / 20.8