



FEATURES

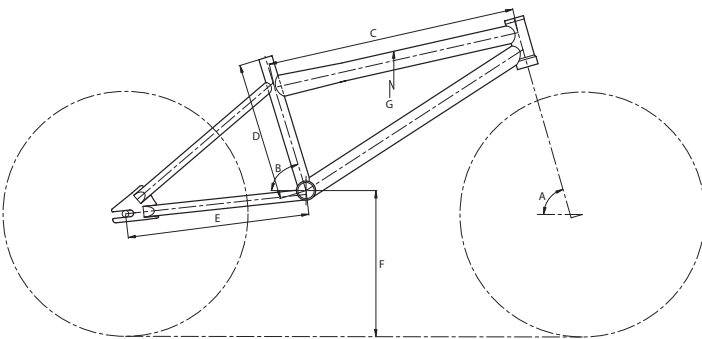
- Aluminum frame
- Free Agent hollow CrMo cranks
- Chain Tensioner

PART NO. MODEL SIZE COLOR

92-110-9000	AMBUSH 24	ONE	MATTE ASPHALT
92-110-9001	AMBUSH 24	ONE	RED

BIKE SPECS

Frame	6061 Aluminum Double Butted w/Custom Formed T/T, CNC Dropouts
Fork	Free Agent CrMo Steerer, Tapered Leg
Headset	Threadless 1-1/8"
Handlebar	Free Agent Cruiser
Stem	Free Agent BMX Threadless Top Load, Aluminum 4-bolt
Grips	Free Agent Lock-on
Crankset	Free Agent 3-pc Hollow CrMo, 175mm, 42T Chainwheel
BB	8-Spline Axle, Euro Cups, Cartridge Bearings
Chain	KMC Z6
Pedals	Free Agent Aluminum Low-Profile Platform w/ Smooth Polymer Bearing
Rims	Aluminum w/CNC Rear Sidewall, 36x36H
Hubset	Free Agent Aluminum, Sealed Mech
Spokes	14G Black 36x36
Tires	Kenda K-Rad 24x1.95/1.75" 60TPI
Freewheel / Cassette	18T Freewheel
Brake Levers	Free Agent Aluminum
Brakes (R)	Aluminum Linear Pull
Saddle	Free Agent BMX Padded, Low-Profile
Seatpost	Free Agent Aluminum Micro-adjust
Other Features	Chain Tensioner



GEOMETRY

A (Head Tube)	B (Seat Tube)	C (Top Tube mm/in)	D (Seat Tube mm/in)	E (Chainstay mm/in)	F (BB Height mm/in)	G (Stand Over mm/in)
73°	69°	547 / 21.5	315 / 12.4	390 / 15.4	303 / 11.9	630 / 24.8